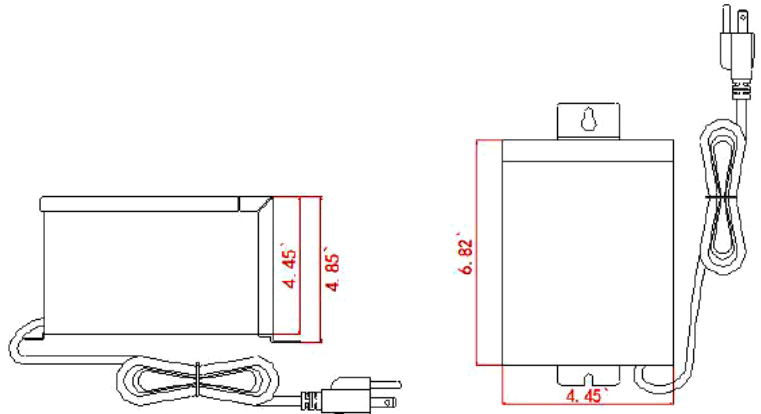


**DIMENSIONS:**



**TR-75W-MT-T-SS**

**MULTI-TAP (12V/15V AC) LANDSCAPE TRANSFORMERS**

**ELECTRICAL SPECIFICATIONS:**

- Voltage: 120V/60Hz
- Wattage: 75W MAX
- Output Voltage: 12V/15V AC

**HOUSING SPECIFICATIONS:**

- Pre-Installed 24-Hour 3-Prong Mechanical Plug-in Time
- Terminal Blocks: 2
- Suitable for Indoor and Outdoor use
- Dual Protection:
  - Primary circuit protection: Auto Reset Thermal Circuit Breaker On Core
  - Secondary circuit protection: (1) 25A Magnetic Circuit Breaker
- IP Rating: IP67, Suitable for Wet Locations

**CERTIFICATIONS:**



**OPTIONAL ACCESSORIES:**



TR-PC

MODEL	WATTS	VOLTAGE
TR-75W-MT-T-SS	75W	120V

MODEL	DESCRIPTION
TR-PC	Photocell with Plug-in Molex Connector

**WARRANTY: 3 years**

